

A range of cost saving solutions

Flowmeters & Monitors



LoFlow - Oil and Water Flowmeters

Features & Benefits



- Easy to read, permanent printed scales.
- Large scale definition for precise measurement.
- Easy panel mounting assembly.
- Negligible pressure drop characteristics.
- 10 bar pressure rating.
- Simple to use.

Specification

Construction:

Body Grillon TR55.
 Back body half ABS 7020.
 Ball retainer ABS 7020.
 Back panel PVC.
 Float See below.

Maximum working pressure:
 10 bar.

Maximum working temperature:
 60°C.

Accuracy:
 ±2% typical.

Repeatability:
 ±1%.

Connections:
 1/4" and 3/4" tapered threads.

Installation Details

Simple to fit, easy to use

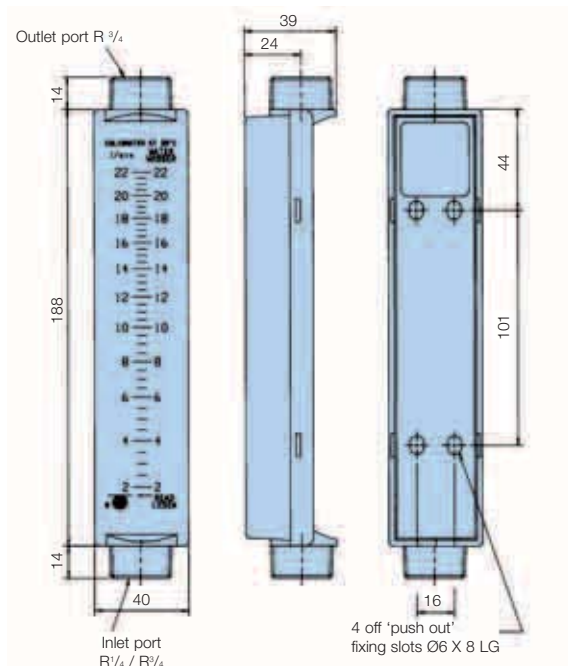
The LoFlow meter has been designed for those industries where the need exists for a low cost solution to small measurements of flow with an accurate reading. LoFlow uses the well tried and tested principle of variable area flow measurement utilising the movement of a ball or float inside a calibrated tapered bore.

Typical Applications

Pharmaceutical industry
 Filtration systems
 Hospital equipment
 For water applications

Water treatment
 Photography and X-ray
 Equipment
 Swimming pools

Installation Details



Ordering Information

Standard products table

| Product number | Supersedes | Media | Ports (BSPT male) | Flow range (l/min) | Float material |
|-----------------|------------|-------|-------------------|--------------------|----------------|
| LF802412 | LF.2020 | Water | 3/4 - 3/4 | 0.2 - 2.0 | Acetal |
| LF802413 | LF.2100 | Water | 3/4 - 3/4 | 2.0 - 10.0 | S/Steel |
| LF802414 | LF.2220 | Water | 3/4 - 3/4 | 3.0 - 22.0 | S/Steel |
| LF801431 | LF.1002 | Oil | 1/4 - 3/4 | 0.010 - 0.20 | S/Steel |
| LF802432 | LF.1009 | Oil | 3/4 - 3/4 | 0.1 - 0.9 | Acetal |
| LF802434 | LF.1090 | Oil | 3/4 - 3/4 | 1.0 - 9.0 | S/Steel |
| LF801411 | LF.2005 | Water | 1/4 - 3/4 | 0.06 - 0.55 | S/Steel |

Note 1: Part numbers featured with bold highlighted codes will ensure a 'standard' product selection.

Note 2: Alternate displayed part number selection will require you to contact Parker Filtration for availability.

Easiflow - Meters and Flowswitches

Features & Benefits



- Oil and water calibrated.
- Works in any plane.
- Pressures up to 10 bar.
- Flows from 1 to 150 l/min.
- Accuracy $\pm 5\%$ FSD.
- Repeatability $\pm 1\%$ FSD.
- Switches – fully adjustable flow rate signalling.
- Plant and equipment protection.



Easiflow Meters Specification

Construction:

Cone Acetal
Viewing glass Borosilicate glass
Calibrated spring Stainless steel
Seal Nitrile
Body Glass filled nylon

Maximum working pressure:
10 bar.

Minimum working pressure:
1 bar.

Temperature range:
+5°C to +80°C - Oil.
+5°C to +60°C - Water.

Flow rate:

1 to 150 l/min.

Viscosity range:

10 to 200 centistokes (oil).

Accuracy:

$\pm 5\%$ FSD.

Repeatability:

$\pm 1\%$ FSD.

Connections:

1" BSP parallel threads.

Weight:

0.4kg.

Flowswitch Specifications

The Easiflow switch is a flow measuring device incorporating an AC/DC switch suitable for controlling valves or pump motors or for activating alarm signals.

General flowmeter specification:

See material details opposite.

Switch type specifications:

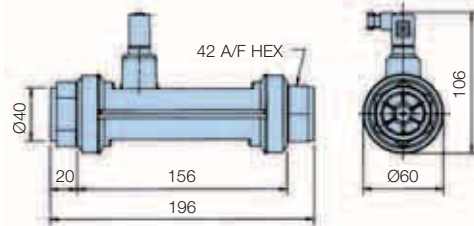
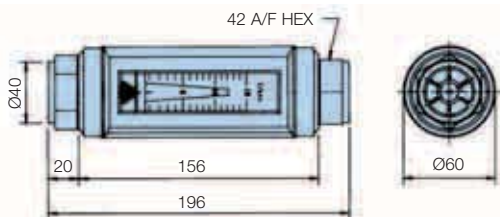
Magnetically operated reed switch.

Electrical details:

Voltage range 300Vac/dc
Maximum current 2.5Amps
Maximum load 100W resistive
70W inductive



Installation Details



Ordering Information

Standard products table

| Product number | Supercedes | Media | Flow range (l/min) |
|---------------------|------------|-------|--------------------|
| EF773111220 | EFW.0302 | Water | 2 - 30 |
| EF773111220 | EFW.0502 | Water | 4 - 50 |
| EF7731113220 | EFW.1002 | Water | 5 - 100 |
| EF7731114220 | EFW.1502 | Water | 10 - 150 |
| EF7731110120 | EFL.0151 | Oil | 1 - 15 |
| EF7731111120 | EFL.0301 | Oil | 2 - 30 |
| EF7731112120 | EFL.0501 | Oil | 4 - 50 |
| EF7731113120 | EFL.1001 | Oil | 5 - 100 |
| EF7731114120 | EFL.1501 | Oil | 10 - 150 |
| EF7731110220 | EFW.0152 | Water | 1 - 15 |

Note 1: Part numbers featured with bold highlighted codes will ensure a 'standard' product selection.
Note 2: Alternate displayed part number selection will require you to contact Parker Filtration for availability.

Standard products table

| Product number | Supercedes | Media | Flow range (l/min) | Switch range (l/min) |
|---------------------|------------|-------|--------------------|----------------------|
| EF7731110221 | EFW.015S1 | Water | 1 - 15 | 5 - 15 |
| EF7731111221 | EFW.030S1 | Water | 2 - 30 | 5 - 30 |
| EF7731110121 | EFL.015S1 | Oil | 1 - 15 | 5 - 15 |
| EF7731111121 | EFL.030S1 | Oil | 2 - 30 | 5 - 30 |
| EF7731112121 | EFL.050S1 | Oil | 4 - 50 | 10 - 50 |
| EF7731113121 | EFL.100S1 | Oil | 5 - 100 | 20 - 100 |
| EF7731114121 | EFL.150S1 | Oil | 10 - 150 | 30 - 150 |
| EF7731112221 | EFW.050S1 | Water | 4 - 50 | 10 - 50 |
| EF7731113221 | EFW.100S1 | Water | 5 - 100 | 20 - 100 |
| EF7731114221 | EFW.150S1 | Water | 10 - 150 | 30 - 150 |

Note 1: Part numbers featured with bold highlighted codes will ensure a 'standard' product selection.
Note 2: Alternate displayed part number selection will require you to contact Parker Filtration for availability.

Flowmeters & Monitors

Dataflow - 4 to 20mA and Pulse Output Flow Transmitters

Features & Benefits



- 4 to 20mA output.
- Pulse output available for totalising/batching.
- Works in any plane.
- Accepts reverse flow.
- Maximum flow 150 l/min.
- Negligible pressure drop.
- Pressures up to 10 bar.
- Low cost. Simple to install.
- For use with most liquids.
- Factory calibrated. Accuracy $\pm 2\%$.
- DIN 43650 plug connection (included).

Specification

Construction:

Borosilicate glasstube.
Nitrile seals.
Body – Glass filled nylon.
Rotor and locater – Acetal.
Washers and shaft – Stainless steel.
Rotor tips – Stainless steel.

Max. working pressure:
10 bar oil/water.

Flow indication:

Min: 2 l/min.
Max: 150 l/min.
Accepts reverse flow.

Accuracy:

$\pm 2\%$ FSD.

Temp range:

+5°C to +80°C oil.
+5°C to +60°C water.

Connections:

1" BSP parallel threads.

Weight:

0.7Kg.

Calibration 4 to 20mA:

4mA = 0 l/min,
20mA = 100 l/min.

Calibration pulse output per litre:

'K' factors.
Oil = 51.14
Water = 44.25

Electrical details 4 to 20mA:

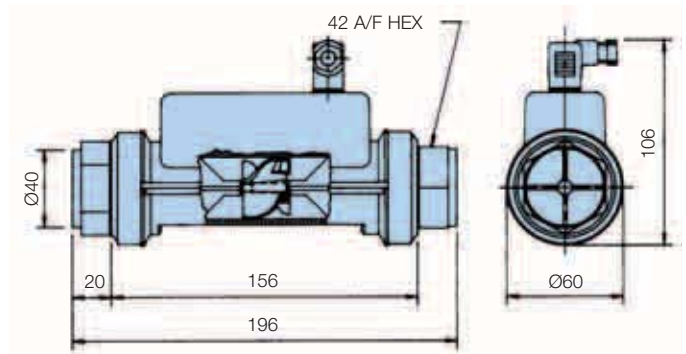
Supply = 24Vdc.

Pulse output:

Supply = 24Vdc.
(open collector transistor).



Installation Details



Ordering Information

Standard products table

| Product number | Supersedes | Description |
|----------------|------------|-------------------------------------|
| DFT980 | DFT.980 | Dataflow "Pulse" output transmitter |
| DFT990 | DFT.990 | Dataflow 4-20mA transmitter |

Note 1: Part numbers featured with bold highlighted codes will ensure a 'standard' product selection.

Note 2: Alternate displayed part number selection will require you to contact Parker Filtration for availability.



Dataflow 4-20mA transmitter can be connected to a Digital Display Unit (DDU1001 or DDU1002)

Digital Display Specification (DFT 990 only)

For indicator options please refer to MS150 section of the catalogue, reference DDU1001 and DDU1002 indicators

4 to 20mA On-Site Calibration

Set your system to zero flow. Connect a multimeter across terminals 1 (+20mA) and \oplus (0mA) (Dia. 2). Set the zero to read 4mA on your multimeter (Dia. 1). Set your system to full flow and set the span to read 20mA on your multimeter. (Dia. 1)

Note: Minimum span setting = 30 l/min

Diagram 1

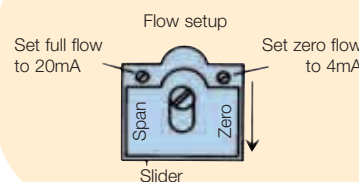
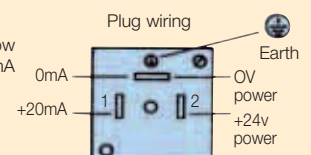


Diagram 2



Flowmeters & Monitors

Dataflow Compact - Inline Flow Transmitter

Features & Benefits



- Pulse output signal for flows up to 25 l/min.
- Lightweight and robust.
- Operates in any plane. Simple to install.
- Low cost flow measurement.
- Negligible pressure drop.
- Accepts reverse flow.
- $\frac{3}{8}$ BSP male connection.
- Water or compatible clear fluids only.
- Ideal for washing machines, showers and vending machines.

Specification

Construction:

Body Grilamid – TR55.
 Rotor 18% PTFE filled nylon.
 Shaft Stainless steel.
 Shaft Retainers Grilamid TR55.

Operation:

Infra-red.

Maximum working pressure:
20 bar.

Pressure drop:
Max 0.1 bar at 15 l/min.

Flow range:
1 to 25 l/min.
(Accepts reverse flow).

Calibration:
'K' Factor 752 pulses per litre, typical.
Subject to application.

Accuracy:
±2% typical.



Repeatability:

±1%.

Temperature range:
+5°C to +70°C.

Overall dimensions:
52mm x 29mm x 27mm.

Weight:
16 grams.

Connections:
 $\frac{3}{8}$ BSP

Cable length:
300mm.

Power supply:
5 Vdc.

Output signal:
5 Vdc - square wave

Dataflow Compact – The Low Cost Transmitter

The Dataflow Compact Transmitter was designed to offer OEM's and end users alike a means of monitoring low flows on liquids with an electronic output signal – but at LOW COST. Fluid passes through the one piece sensor body impacting on the twin vaned turbine rotor, causing it to rotate at a speed proportional to the flow rate. Two opposing photo-transistors are mounted either side of the rotor and externally of the clear sensor body, these generate a continuous signal.

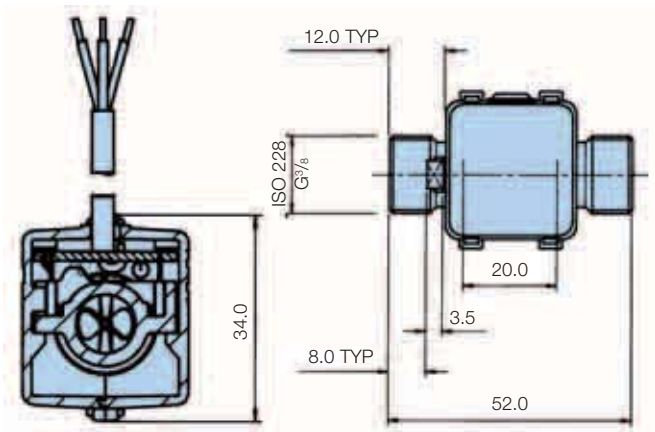
As the rotor spins each blade obscures the infra red signal. This is then converted into an industry standard pulse output signal – compatible with inexpensive display units for flow rate, totalising, batch control and large, central control systems. The lightweight Grilamid body with its virtually unrestricted flow path, offers negligible pressure drop for flows up to 25 l/min and withstanding pressures up to 20 bar.

Flow Rate • Totalising • Batch Control and applications in many industries

Dataflow Compact Transmitters are small and very robust having been developed and tested extensively in industry applications where space is a restriction. Dataflow Compact with its Grilamid body and BSP connections can be installed almost anywhere and once installed will give accurate and reliable output signalling.

Installation Details

Red wire +5V supply
 Green wire Output signal
 Blue wire 0V supply



Ordering Information

Standard products table

| Product number | Supersedes | Description |
|-------------------|-------------|------------------------------|
| DFC9000100 | DFC.9000100 | Dataflow compact transmitter |

Note 1: Part numbers featured with bold highlighted codes will ensure a 'standard' product selection.
 Note 2: Alternate displayed part number selection will require you to contact Parker Filtration for availability.

Flowmeters & Monitors

Flowline - Oil and Water Calibrated Flowmeters (Brass Version)

Features & Benefits

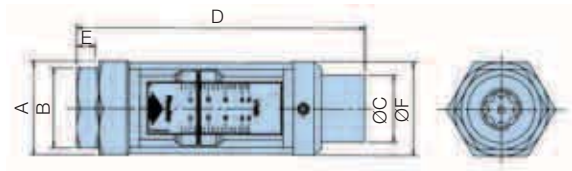


- Works in any plane.
- Pressure up to 350 bar (5000 psi).
- Flows up to 360 l/min.
- Accuracy $\pm 5\%$ FSD.
- Repeatability $\pm 1\%$ FSD.
- Direct reading.
- Relatively insensitive to viscosity changes.
- Oil or water calibrated.
- Optional reed switch upgrade.

Specification

| | |
|---|--|
| Construction: Brass body to BS 2874 CZ114. | Viscosity range: 10 to 200 cSt (oil). |
| Maximum working pressure: Up to 350 bar. | Accuracy: $\pm 5\%$ FSD. |
| Minimum working pressure: 1 bar. | Repeatability: $\pm 1\%$ FSD. |
| Temperature range: Brass -20°C to $+90^{\circ}\text{C}$. | Min. scale reading: 10% FSD. |
| Calibration: | Connections: BSP parallel threads. |
| Oil Specific gravity 0.856 at 20°C . | Wetted/non-wetted parts: Consult Parker for information. |
| Water Specific gravity 1.0 at 20°C . | |

1/4", 1/2" and 3/4" BSP thread options



Note: To add an electrically operated reed switch to your flowmeter please order B.26307

Ordering Information - Oil

Standard products table

| Brass flowmeter for oil | | Dimensions (mm) | | | | | | | | | | Weight (kg) |
|-------------------------|---------------|-----------------|--------------------|------------------------|---|-------------|----|-------|------|----|------|-------------|
| Product number | Supersedes | Ports BSP | Flow range (l/min) | Maximum pressure (bar) | A (A/F Hex) | B (A/F Hex) | C | D | E | F | | |
| FM26122212 | FM.26 122 212 | 1/4 | 0.5 - 4.5 | 350 | 32 | 29 | 19 | 123 | 7 | 32 | 0.4 | |
| FM26122312 | FM.26 122 312 | 1/4 | 1 - 9 | 350 | 32 | 29 | 19 | 123 | 7 | 32 | 0.4 | |
| FM26222112 | FM.26 222 112 | 1/2 | 2 - 20 | 350 | 41 | 38 | 32 | 165.5 | 12.5 | 46 | 0.9 | |
| FM26222212 | FM.26 222 212 | 1/2 | 5 - 46 | 350 | 41 | 38 | 32 | 165.5 | 12.5 | 46 | 0.9 | |
| FM26322112 | FM.26 322 112 | 3/4 | 5 - 55 | 350 | 58 | 46 | 43 | 190 | 15 | 58 | 1.75 | |
| FM26322212 | FM.26 322 212 | 3/4 | 10 - 110 | 350 | 58 | 46 | 43 | 190 | 15 | 58 | 1.75 | |
| FM26122112 | FM.26 122 112 | 1/4 | 0.2 - 2.0 | 350 | 32 | 29 | 19 | 123 | 7 | 32 | 0.4 | |
| FM26422112 | FM.26 422 112 | 1 1/4 | 20 - 180 | 210 | For installation details for 1 1/4 flowmeters see next page | | | | | | 8.0 | |
| FM26422212 | FM.26 422 212 | 1 1/4 | 30 - 270 | 210 | | | | | | | 8.0 | |
| FM26422312 | FM.26 422 312 | 1 1/4 | 40 - 360 | 210 | | | | | | | 8.0 | |

Ordering Information - Water

Standard products table

| Brass flowmeter for water | | Dimensions (mm) | | | | | | | | | | Weight (kg) |
|---------------------------|---------------|-----------------|--------------------|------------------------|---|-------------|----|-------|------|----|------|-------------|
| Product number | Supersedes | Ports BSP | Flow range (l/min) | Maximum pressure (bar) | A (A/F Hex) | B (A/F Hex) | C | D | E | F | | |
| FM26222122 | FM.26 222 122 | 1/2 | 2 - 20 | 350 | 41 | 38 | 32 | 165.5 | 12.5 | 46 | 0.9 | |
| FM26222222 | FM.26 222 222 | 1/2 | 5 - 46 | 350 | 41 | 38 | 32 | 165.5 | 12.5 | 46 | 0.9 | |
| FM26322122 | FM.26 322 122 | 3/4 | 5 - 55 | 350 | 58 | 46 | 43 | 190 | 15 | 58 | 1.75 | |
| FM26322222 | FM.26 322 222 | 3/4 | 10 - 110 | 350 | 58 | 46 | 43 | 190 | 15 | 58 | 1.75 | |
| FM26122122 | FM.26 122 122 | 1/4 | 0.2 - 2.0 | 350 | 32 | 29 | 19 | 123 | 7 | 32 | 0.4 | |
| FM26122222 | FM.26 122 222 | 1/4 | 0.5 - 4.5 | 350 | 32 | 29 | 19 | 123 | 7 | 32 | 0.4 | |
| FM26122322 | FM.26 122 322 | 1/4 | 1 - 9 | 350 | 32 | 29 | 19 | 123 | 7 | 32 | 0.4 | |
| FM26422122 | FM.26 422 122 | 1 1/4 | 20 - 180 | 210 | For installation details for 1 1/4 flowmeters see next page | | | | | | 8.0 | |
| FM26422222 | FM.26 422 222 | 1 1/4 | 30 - 270 | 210 | | | | | | | 8.0 | |
| FM26422322 | FM.26 422 322 | 1 1/4 | 40 - 360 | 210 | | | | | | | 8.0 | |

Note 1: Part numbers featured with bold highlighted codes will ensure a 'standard' product selection.

Note 2: Alternate displayed part number selection will require you to contact Parker Filtration for availability.

Flowmeters & Monitors

Flowline - Oil and Water Calibrated Flowmeters (Stainless Steel)

Features & Benefits

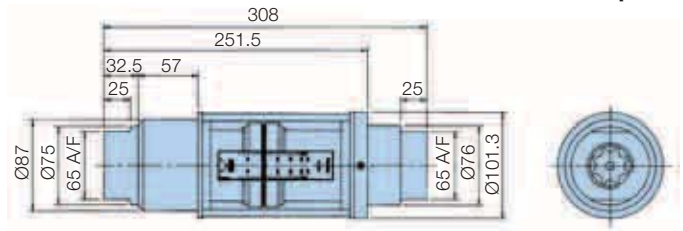


- For flow measurement of corrosive or chemical media or in harsh locations.
- Manufactured in stainless steel 316.
- Works in any plane.
- Pressure up to 350 bar (5000 psi).
- Flows up to 360 l/min.
- Accuracy $\pm 5\%$ FSD.
- Repeatability $\pm 1\%$ FSD.
- Direct reading.
- Oil or water calibrated.
- Optional reed switch upgrade.

1 1/4" BSP option

Specification

| | |
|---|---|
| Construction: Stainless steel to BS 970 316S. | Viscosity range: 10 to 200 cSt (oil). |
| Maximum working pressure: Up to 350 bar. | Accuracy: $\pm 5\%$ FSD. |
| Minimum working pressure: 1 bar. | Repeatability: $\pm 1\%$ FSD. |
| Temperature range: -20°C to +105°C. | Min. scale reading: 10% FSD. |
| Calibration: Oil Specific gravity 0.856 at 20°C. Water Specific gravity 1.0 at 20°C. | Connections: BSP parallel threads. |



Wetted parts:
Body, thread adaptor
Piston, etc: cone locknut:
Stainless Steel.
Flow cone:
BS 970 316S 16.

Magnet encapsulation:
Stainless steel BS970/1:1991.
:316S31.
Spring:
Stainless steel to BS 2056 EN 58J.
Seal:
Viton.

Note: To add an electrically operated reed switch to your flowmeter please order B.26307

Ordering Information - Oil

Standard products table

| Stainless steel flowmeter for oil | | Dimensions (mm) | | | | | | | | | |
|-----------------------------------|---------------|-----------------|--------------------|------------------------|--|-------------|----|-------|------|----|-------------|
| Product number | Supersedes | Ports BSP | Flow range (l/min) | Maximum pressure (bar) | A (A/F Hex) | B (A/F Hex) | C | D | E | F | Weight (kg) |
| FM26232112 | FM.26 232 112 | 1/2 | 2 - 20 | 350 | 41 | 38 | 32 | 165.5 | 12.5 | 46 | 0.9 |
| FM26332112 | FM.26 332 112 | 3/4 | 5 - 55 | 350 | 58 | 46 | 43 | 190 | 15 | 58 | 1.75 |
| FM26332212 | FM.26 332 212 | 3/4 | 10 - 110 | 350 | 58 | 46 | 43 | 190 | 15 | 58 | 1.75 |
| FM26132112 | FM.26 132 112 | 1/4 | 0.2 - 2.0 | 350 | 32 | 29 | 19 | 123 | 7 | 32 | 0.4 |
| FM26132212 | FM.26 132 212 | 1/4 | 0.5 - 4.5 | 350 | 32 | 29 | 19 | 123 | 7 | 32 | 0.4 |
| FM26132312 | FM.26 132 312 | 1/4 | 1 - 9 | 350 | 32 | 29 | 19 | 123 | 7 | 32 | 0.4 |
| FM26232212 | FM.26 232 212 | 1/2 | 5 - 46 | 350 | 41 | 38 | 32 | 165.5 | 12.5 | 46 | 0.9 |
| FM26432112 | FM.26 432 112 | 1 1/4 | 20 - 180 | 350 | For installation details for 1 1/4" flowmeters see above | | | | | | 8.0 |
| FM26432212 | FM.26 432 212 | 1 1/4 | 30 - 270 | 350 | | | | | | | 8.0 |
| FM26432312 | FM.26 432 312 | 1 1/4 | 40 - 360 | 350 | | | | | | | 8.0 |

Ordering Information - Water

Standard products table

| Stainless steel flowmeter for water | | Dimensions (mm) | | | | | | | | | |
|-------------------------------------|---------------|-----------------|--------------------|------------------------|--|-------------|----|-------|------|----|-------------|
| Product number | Supersedes | Ports BSP | Flow range (l/min) | Maximum pressure (bar) | A (A/F Hex) | B (A/F Hex) | C | D | E | F | Weight (kg) |
| FM26132122 | FM.26 132 122 | 1/4 | 0.2 - 2.0 | 350 | 32 | 29 | 19 | 123 | 7 | 32 | 0.4 |
| FM26132222 | FM.26 132 222 | 1/4 | 0.5 - 4.5 | 350 | 32 | 29 | 19 | 123 | 7 | 32 | 0.4 |
| FM26132322 | FM.26 132 322 | 1/4 | 1 - 9 | 350 | 32 | 29 | 19 | 123 | 7 | 32 | 0.4 |
| FM26232122 | FM.26 232 122 | 1/2 | 2 - 20 | 350 | 41 | 38 | 32 | 165.5 | 12.5 | 46 | 0.9 |
| FM26232222 | FM.26 232 222 | 1/2 | 5 - 46 | 350 | 41 | 38 | 32 | 165.5 | 12.5 | 46 | 0.9 |
| FM26332122 | FM.26 332 122 | 3/4 | 5 - 55 | 350 | 58 | 46 | 43 | 190 | 15 | 58 | 1.75 |
| FM26332222 | FM.26 332 222 | 3/4 | 10 - 110 | 350 | 58 | 46 | 43 | 190 | 15 | 58 | 1.75 |
| FM26432122 | FM.26 432 122 | 1 1/4 | 20 - 180 | 350 | For installation details for 1 1/4" flowmeters see above | | | | | | 8.0 |
| FM26432222 | FM.26 432 222 | 1 1/4 | 30 - 270 | 350 | | | | | | | 8.0 |
| FM26432322 | FM.26 432 322 | 1 1/4 | 40 - 360 | 350 | | | | | | | 8.0 |

Note 1: Part numbers featured with bold highlighted codes will ensure a 'standard' product selection.
Note 2: Alternate displayed part number selection will require you to contact Parker Filtration for availability.

Flowline - Flowswitches

Features & Benefits



- ‘Boxed’ two-switch type.
- Intrinsically safe versions.
- Maximum/minimum switching models.
- Maximum working pressure 350 bar. (min 1 bar)
- Flows from 2.0 to 110 l/min.
- Stainless steel – suitable for corrosive media.
- Stainless steel to BS970 316S16.

Ordering Information

To order the required switching unit, simply add the appropriate prefix before the part numbers shown below.

Standard products table

| Product number | Supersedes | Description |
|--------------------|----------------|--|
| FS643222112 | FS.643 222 112 | 2 switches, 2 - 20 l/min (1/2 BSP) Oil |
| FS643222212 | FS.643 222 212 | 2 switches, 5 - 46 l/min (1/2 BSP) Oil |
| FS643322112 | FS.643 322 112 | 2 switches, 5 - 55 l/min (1/2 BSP) Oil |
| FS643322212 | FS.643 322 212 | 2 switches, 10 - 110 l/min (1/2 BSP) Oil |

Product configurator

| Brass flowswitch for oil or water | | Flow range and (port size) | | Fluid type | |
|-----------------------------------|----------------------------------|----------------------------|--------------------------|------------|-------|
| Product number | | | | | |
| FS643 | 2 switches | 2221 | 2 - 20 l/min (1/2 BSP) | 12 | Oil |
| FS67A | Intrinsically safe high switch | 2222 | 5 - 46 l/min (1/2 BSP) | 22 | Water |
| FS67B | Intrinsically safe low switch | 3221 | 5 - 55 l/min (1/2 BSP) | | |
| FS67C | Intrinsically safe hi/low switch | 3222 | 10 - 110 l/min (1/2 BSP) | | |

Product configurator

| Stainless steel flowswitch for oil or water | | Flow range and (port size) | | Fluid type | |
|---|----------------------------------|----------------------------|--------------------------|------------|-------|
| Product number | | | | | |
| FS643 | 2 switches | 2321 | 2 - 20 l/min (1/2 BSP) | 12 | Oil |
| FS67A | Intrinsically safe high switch | 2322 | 5 - 46 l/min (1/2 BSP) | 22 | Water |
| FS67B | Intrinsically safe low switch | 3321 | 5 - 55 l/min (1/2 BSP) | | |
| FS67C | Intrinsically safe hi/low switch | 3322 | 10 - 110 l/min (1/2 BSP) | | |

Ordering example

| Product number | Supersedes |
|-------------------|-----------------------|
| FS64332212 | FS.643 332 212 |

Note 1: Part numbers featured with bold highlighted codes will ensure a 'standard' product selection.

Note 2: Alternate displayed part number selection will require you to contact Parker Filtration for availability.

Hydraulic Test Equipment

Features & Benefits



- Speedy diagnosis of hydraulic circuit faults.
- Flows ranging from 2 to 360 l/min.
- Measuring flow, pressure and temperature.
- Fully Portable – No power source required.
- Hydrotrac unit for flows from 2 to 110 l/min available.
- Designed for oil applications only.

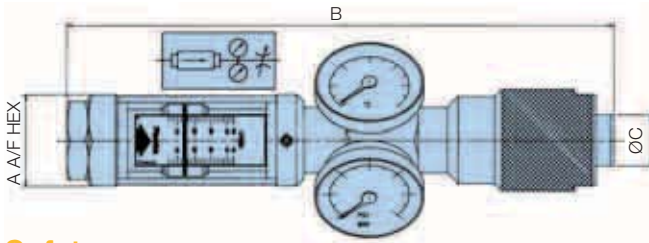
Specification

Flow range:
2 to 360 l/min.

Pressure range:
1 to 350 bar.

Temperature range:
0°C to +90°C.

Installation Details



Safety

An axial flow restrictor valve is fitted which can be adjusted under full load from open to fully closed, and to complete the specification, a safety blow-out disc, set to fail at 455 bar is fitted to the manifold in a position facing away from the operator when reading the gauges normally. Two spare blow-out discs are supplied which are easily replaced by removing the hexagonal plug on the gauge manifold.

Additional blow out discs can be ordered - 41203B (Bag of 10)

Ordering Information

Standard products table

| Product number | Flow range (l/min) | Weight Kg (with case) | Dimensions (mm) | | |
|----------------|--------------------|----------------------------|-----------------|-----|----|
| | | | A | B | C |
| 4121 | 10 - 110 | 7.4 | 46 | 350 | 35 |
| 4120 | 5 - 55 | 7.4 | 46 | 350 | 35 |
| 4123 | 2 - 110 | 11.8 | 46 | 350 | 35 |
| 4168 | 20 - 180 | 13.85 | 75 | 496 | 87 |
| 4169 | 30 - 270 | 13.85 | 75 | 496 | 87 |
| 4170 | 40 - 360 | 13.85 | 75 | 496 | 87 |
| Part number | Supersedes | Description | | | |
| 41203B | 4120.3.B | Safety blow out discs x 10 | | | |

Note 1: Part numbers featured with bold highlighted codes will ensure a 'standard' product selection.
 Note 2: Alternate displayed part number selection will require you to contact Parker Filtration for availability.
 Note 3: 4123 'Hydrotrac' unit features 2 flowmeters (2 - 20 and 10 - 110 l/min) and 2 pressure gauges.

Troubleshooting Test Units

Hydraulic Test Units are designed specifically for the speedy diagnosis of hydraulic circuit faults in mobile, marine and industrial systems using the normal range of mineral oils. Their rugged construction based mainly on mild steel, manganese bronze and acrylic materials makes them ideally suited for arduous use in the field.

Each unit is supplied in a convenient carrying case providing full protection and additional storage space for fittings. Because they need no power source such as batteries etc, they are always ready for instant use.

6 models are available to cover flow capacities up to 360 l/min and each incorporates a direct reading, uni-directional flow meter. The meter, which is both self cleaning and reasonably tolerant of contaminated fluids is coupled to a manifold that houses a glycerine-filled pressure gauge calibrated 0 to 350 bar and a dial-type thermometer with a 0°C to 100°C range.

Unit can only operate up to 90°C.

For further convenience the scale on the flow meter can be rotated to ensure visibility in any situation and the installed attitude of the assembly is not critical, though whenever possible the unit should be mounted with pressure gauge vertical and gauge case relief valve uppermost. The unit is designed for flow to be in the direction of the arrow on the flowmeter scale and must not be installed with the flow reversed.

Flowmeters & Monitors

Flow Products - For Compressed Air Applications

Features & Benefits



(A) Flowline Flowswitches and Flowmeters

- Calibrated for direct reading of compressed air at 7 bar.
- Works in any plane.
- Brass or stainless steel models available in 4 sizes.
- Calibrated at 7 bar and 20°C.
- Flow ranges from 2 to 600 SCFM.
- Pressure 1-41 bar max.
- Optional reed switch upgrade.

(B) Loflow Air Flowmeters

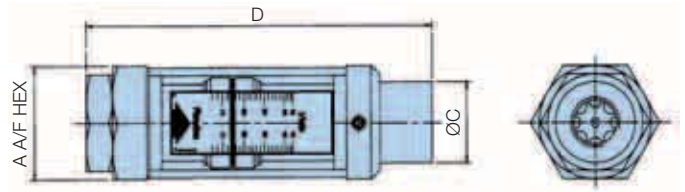
- Flow measurement from 1.1 to 720 l/min. Max 10 bar rating.

(C) Compressed Air Test Equipment

- 6 models available – 1/4", 3/4" and 1 1/4" BSP.
- Air flow range 2 to 600 SCFM.
- Pressure 1-41 bar max.

Specification

Full technical specifications for the Flowmeter, Flowswitch, LoFlow and test equipment products are provided in the respective pages for these products.



Note: To add an electrically operated reed switch to your flowmeter please order B.26307

Ordering Information

Standard products table

| Brass flowmeter for air | | Ports BSP | Flow range | | Maximum working pressure (bar) |
|-------------------------|---------------|-----------|------------|----------|--------------------------------|
| Product number | Supercedes | | SCFM | l/sec | |
| FM26123332 | FM.26 123 332 | 1/4 | 2 - 20 | 1 - 10 | 41 |
| FM26223132 | FM.26 223 132 | 1/2 | 5 - 50 | 2 - 25 | 41 |
| FM26223232 | FM.26 223 232 | 1/2 | 10 - 110 | 5 - 50 | 41 |
| FM26323132 | FM.26 323 132 | 3/4 | 15 - 125 | 6 - 60 | 41 |
| FM26323232 | FM.26 323 232 | 3/4 | 20 - 225 | 10 - 100 | 41 |
| FM26423132 | FM.26 423 132 | 1 1/4 | 40 - 400 | 20 - 200 | 25 |
| FM26423232 | FM.26 423 232 | 1 1/4 | 60 - 600 | 30 - 300 | 25 |

Standard products table - LoFlow

| Product number | Supercedes | Ports (BSP male) | Flow range | Float material |
|----------------|------------|------------------|-----------------|----------------|
| LF801450 | LF.3007E | 1/4 - 3/4 | 1.1 - 8.0 l/min | Acetal |
| LF802455 | LF.3050E | 3/4 - 3/4 | 10 - 50 l/min | Acetal |
| LF802452 | LF.3135E | 3/4 - 3/4 | 20 - 135 l/min | Acetal |
| LF802454 | LF.3720E | 3/4 - 3/4 | 2 - 12 l/sec | S/Steel |
| LF801451 | LF.3021E | 1/4 - 3/4 | 4 - 22 l/min | S/Steel |
| LF802453 | LF.3330E | 3/4 - 3/4 | 1.0 - 5.5 l/sec | S/Steel |

Standard products table

| Stainless steel flowmeter for air | | Ports BSP | Flow range | | Maximum working pressure (bar) |
|-----------------------------------|---------------|-----------|------------|----------|--------------------------------|
| Product number | Supercedes | | SCFM | l/sec | |
| FM26133332 | FM.26 133 332 | 1/4 | 2 - 20 | 1 - 10 | 41 |
| FM26233132 | FM.26 233 132 | 1/2 | 5 - 50 | 2 - 25 | 41 |
| FM26233232 | FM.26 233 232 | 1/2 | 10 - 110 | 5 - 50 | 41 |
| FM26333132 | FM.26 333 132 | 3/4 | 15 - 125 | 6 - 60 | 41 |
| FM26333232 | FM.26 333 232 | 3/4 | 20 - 225 | 10 - 100 | 41 |
| FM26433132 | FM.26 433 132 | 1 1/4 | 40 - 400 | 20 - 200 | 41 |
| FM26433232 | FM.26 433 232 | 1 1/4 | 60 - 600 | 30 - 300 | 41 |

Product configurator

| Brass flowswitch for air | | Flow range SCFM and (l/sec) | Ports (BSP) | Fluid type | |
|--------------------------|--------------------------------|-----------------------------|---------------------|------------|--------|
| Product number | Supercedes | | | | |
| FS643 | 2 switches | 2231 | 5 - 50 (2 - 25) | 1/2 | 32 Air |
| FS67A | Intrinsically safe high switch | 2232 | 10 - 110 (5 - 50) | 1/2 | |
| FS67B | Intrinsically safe low switch | 3231 | 15 - 125 (6 - 60) | 3/4 | |
| | | 3232 | 20 - 225 (10 - 100) | 3/4 | |

Ordering example

| Product number | Supercedes |
|----------------|----------------|
| FS643323232 | FS.643 323 232 |

Note 1: Part numbers featured with bold highlighted codes will ensure a 'standard' product selection.

Note 2: Alternate displayed part number selection will require you to contact Parker Filtration for availability.