



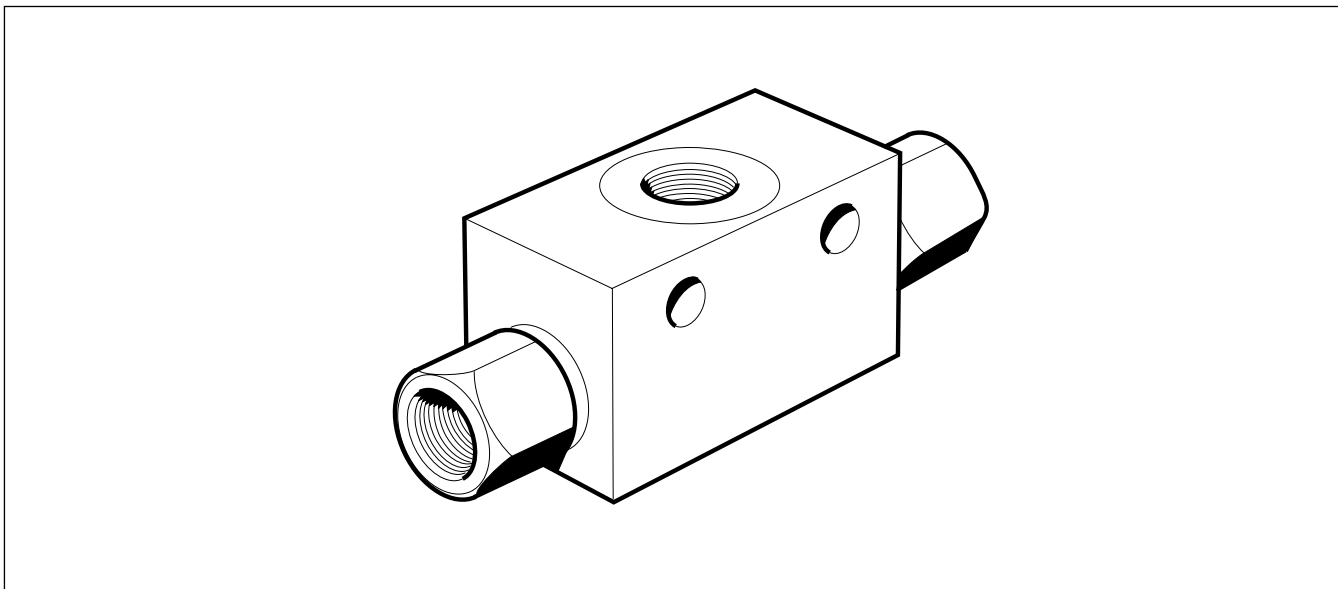
Auxiliary Valves

VV6

Shuttle Valve

*Catalogue HY17-8602/UK
September, 2005*





Applications

The VV6 enables two flows in a hydraulic system to be directed alternately into a common service line. The flow with the highest pressure takes priority.)

The valve is intended for use in load-signal systems and in pilot-operated systems that have two alternate operator's stations.

Design and function

The valve consists of a valve housing, a poppet and two valve seats. It has two inlets and one outlet.

The pressure differential that arises when oil flows through the valve pushes the poppet to the opposite inlet and blocks it, at the same time as the outlet is opened. The valve can only be used with the direction of flow going from the inlets to the outlet.

Technical data

Working pressure

Max. 250 bar

Recommended flow rate

Max. 20 l/min

Connections

All connections are available in two versions:

G-version (BSP pipe thread) for flat seal (type Tredo) according to ISO 228/1 and UN version for O-ring seal according to SAE J1926/1.

Weight

Approx. 0.4 kg

Hydraulic fluids

Best performance is obtained using mineral-base oil of high quality and cleanliness in the hydraulic system.

HLP hydraulic fluids (DIN 51524), automatic-gearbox oil type A and API CD engine oils can be used.

Synthetic, fire-resistant and environmentally friendly fluids can also be used. Please contact Parker for further information.

For best function, fluid viscosity should be between 15 and 45 mm²/s.

Filtration

Filtration should be arranged so that Target Contamination Class 20/18/14 according to ISO 4406 is not exceeded.

Temperature

Temperature range (fluid):

-20 °C to +80 °C

Temperature range (ambient):

-40 °C to +60 °C

Temperature change:

Max. 100 °C/s

General

The data given above is applicable at an oil temperature of 50 °C and viscosity of 30 mm²/s using mineral-base oil according to DIN 51524.

Advantages of VV6 shuttle valve

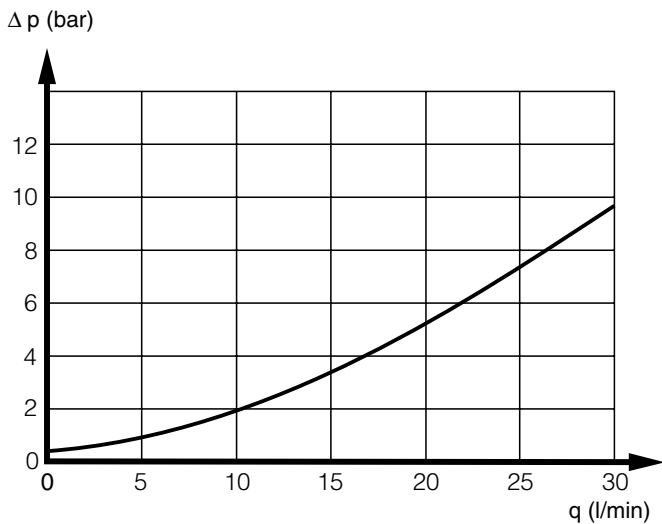
- Small dimensions, easy to install
- Rapid switching

The curves used in this publication are typical curves only. The manufacturer reserves the right to make modifications without prior notice.

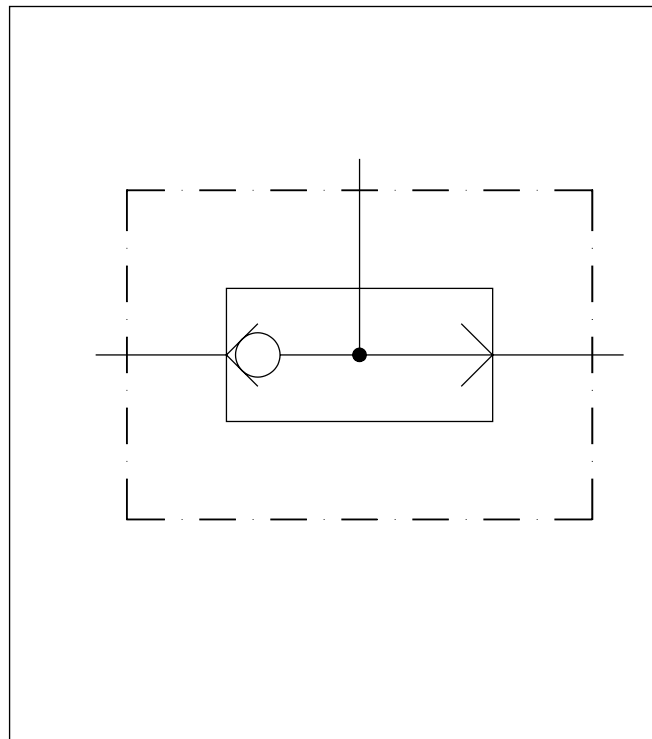
Ordering

The VV6 can be ordered using a designation code or ordering number.

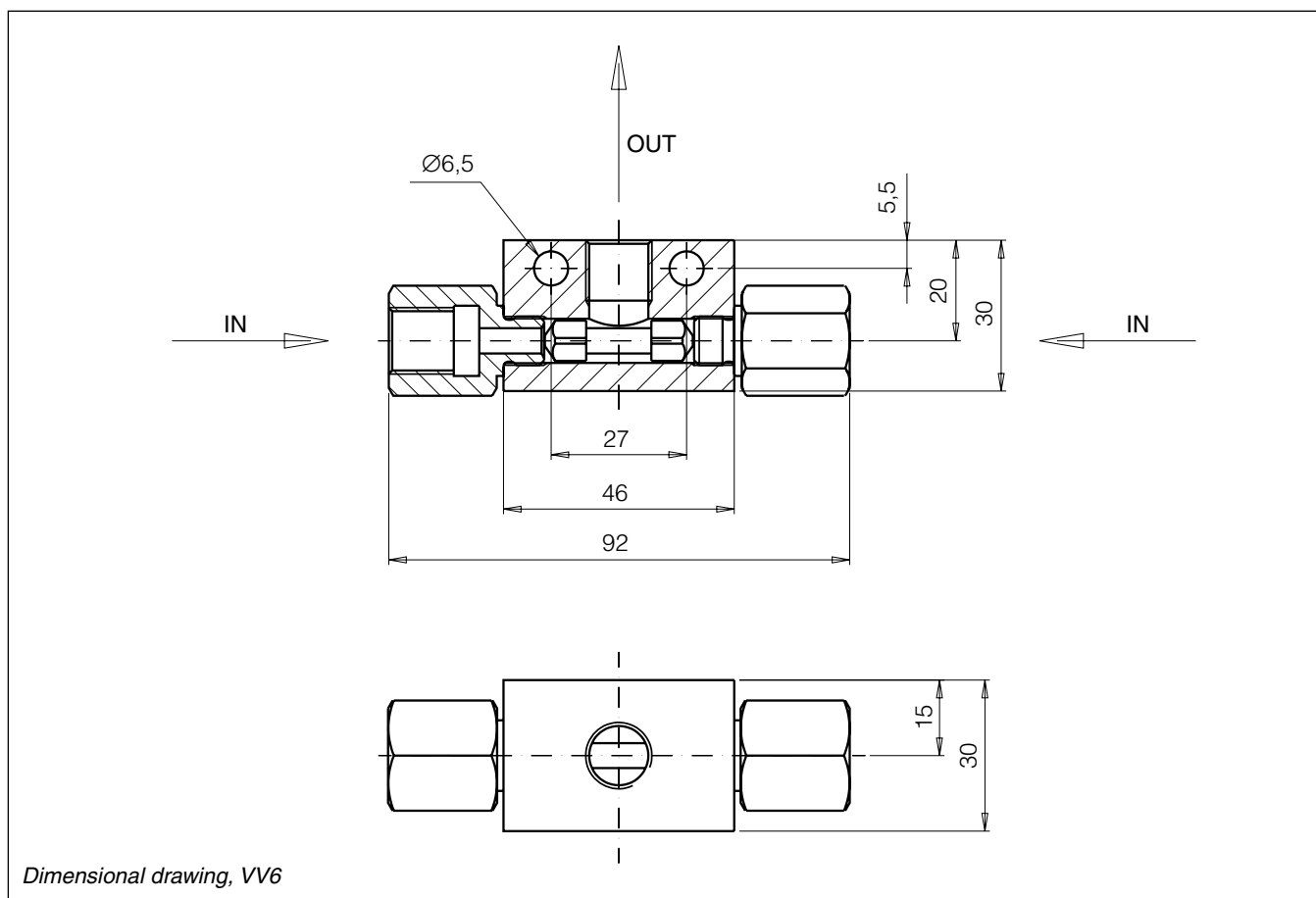
Thread	Designation	Ordering No.
G1/4	VV6G	8234 8902 70
UNF-9/16-18-2B	VV6U	8234 8902 71



Pressure-drop characteristics for VV6



Hydraulic symbol for VV6



Dimensional drawing, VV6

Hydraulics Group Sales Offices

Europe

Austria

Wiener Neustadt
Tel: +43 (0)2622 23501
Fax: +43 (0)2622 66212

Belgium

Nivelles
Tel: +32 (0)67 280 900
Fax: +32 (0)67 280 999

Czech Republic

Klecany
Tel: +420 284 083 111
Fax: +420 284 083 112

Denmark

Ballerup
Tel: +45 4356 0400
Fax: +45 4373 8431

Finland

Vantaa
Tel: +358 (0)9 4767 31
Fax: +358 (0)9 4767 3200

France

Contamine-sur-Arve
Tel: +33 (0)450 25 80 25
Fax: +33 (0)450 03 67 37

Germany

Kaarst
Tel: +49 (0)2131 4016 0
Fax: +49 (0)2131 4016 9199

Hungary

Budapest
Tel: +36 (06)1 220 4155
Fax: +36 (06)1 422 1525

Ireland

Dublin
Tel: +353 (0)1 293 9999
Fax: +353 (0)1 293 9900

Italy

Corsico (MI)
Tel: +39 02 45 19 21
Fax: +39 02 4 47 93 40

The Netherlands

Oldenzaal
Tel: +31 (0)541 585000
Fax: +31 (0)541 585459

Norway

Ski
Tel: +47 64 91 10 00
Fax: +47 64 91 10 90

Poland

Warsaw
Tel: +48 (0)22 863 49 42
Fax: +48 (0)22 863 49 44

Portugal

Leca da Palmeira
Tel: +351 22 9997 360
Fax: +351 22 9961 527

Slovakia

Ref. Czech Republic

Spain

Madrid
Tel: +34 91 675 73 00
Fax: +34 91 675 77 11

Sweden

Spånga
Tel: +46 (0)8 597 950 00
Fax: +46 (0)8 597 951 10

Turkey

Merter/Istanbul
Tel.: +90 212 482 91 06 or 07
Fax: +90 212 482 91 10

United Kingdom

Warwick
Tel: +44 (0)1926 317 878
Fax: +44 (0)1926 317 855

International

Australia

Castle Hill
Tel: +61 (0)2-9634 7777
Fax: +61 (0)2-9899 6184

Canada

Milton, Ontario
Tel: +1 905-693-3000
Fax: +1 905-876-0788

China

Beijing
Tel: +86 10 6561 0520
Fax: +86 10 6561 0526

Asia Pacific Group

Hong Kong, Kowloon
Tel: +852 2428 8008
Fax: +852 2425 6896

India

Mumbai
Tel: +91 22 7907081
Fax: +91 22 7907080

Japan

Tokyo
Tel: +(81) 3 6408 3900
Fax: +(81) 3 5449 7201

Latin America Group

Brazil
Tel: +55 12 3954-5100
Fax: +55 12 3954-5266

South Africa

Kempton Park
Tel: +27 (0)11-961 0700
Fax: +27 (0)11-392 7213

USA

Cleveland (industrial)
Tel: +1 216-896-3000
Fax: +1 216-896-4031
Lincolnshire (mobile)
Tel: +1 847-821-1500
Fax: +1 847-821-7600

Parker Hannifin is the world's premier supplier of motion and control systems and solutions, with sales and manufacturing facilities throughout the world. For product information and details of your nearest Parker sales office, visit us at www.parker.com or call free on 00800 2727 5374.



Catalogue HY17-8602/UK
PDF 09/05

© Copyright 2005
Parker Hannifin Corporation
All rights reserved.